

SINGER

706-1

LIST OF PARTS



SINGER^{**}

MACHINE No. 706-1 (TRIMMER)

THE SINGER MANUFACTURING COMPANY

INSTRUCTIONS FOR ORDERING

In ordering from this list, use ONLY the part NUMBER in the FIRST column.

The number stamped on a Sewing Machine Part is in every case the number of the single part only.

Every combination of parts sent out as such has its specific number, which, although not stamped on the parts, must be used when ordering the combination.

Each number always indicates the SAME PART in whatever list it appears, or for whatever machine.

The letters after some of the numbers indicate the style of finish only, as follows:

A—Hardened, Polished, Nickel Plated and Buffed

B—Polished, Nickel Plated and Buffed

C—Hardened Only

D—Polished Only

E—Soft, Not Polished

F—Hardened and Polished

G—Bright Rumbled and Nickel Plated

H—Blued

J—Nickel Plated Only

K—Hardened and Nickel Plated

L—Brass Plated

M—Oxidized

R—Phosphate Coating Formed on Surface of Iron or Steel

S—Cadmium Plated

T—Copper Plated

U—Zinc Plated

V—Silver Plated

W—Polished and Nickel Plated

X—Black Oxide for Iron and Steel

Y—Black Nickel Plated Only

Z—Chromium Plated

A.A—Buffed and Chromium Plated

A.B—Hardened, Polished, Buffed and Chromium Plated

A.E—Hardened, Bright Rumbled and Nickel Plated

A.F—Hardened, Bright Rumbled, Nickel Plated,

Bright Rumbled and Chromium Plated

A.G—Alumilite (Plain)

A.H—Alumilite (Dyed) Color Must be Stated

A.J—Polished, Nickel Plated and Chromium Plated

A.K—Hardened, Polished, Nickel Plated and Chromium Plated

A.L—Heat Treated for Toughness

A.L.D—Heat Treated for Toughness and Polished

A.L.X—Heat Treated for Toughness and Black Oxide

From the library of Diamond Needle Corp

INSTRUCTIONS FOR ORDERING

- A.S—Black Moulded Phenolic
- A.T—Beige Moulded Phenolic
- A.U—Brown Moulded Phenolic
- A.W—Hardened then Flame Coated with Tungsten Carbide
- B.A—Chrome Nickel Satin Finish
- B.B—Hardened and Chrome Nickel, Satin Finished
- C.R—Hardened and Phosphate Coating Formed on Surface of Steel
- F.J—Hardened, Polished and Nickel Plated
- T.A—Hardened, Polished, Copper and Nickel Plated and Buffed
- T.B—Copper and Nickel Plated and Polished
- T.J—Copper and Nickel Plated Only
- T.K—Hardened, Copper and Nickel Plated
- T.L—Copper and Brass Plated
- T.M—Copper Plated and Oxidized
- X.C—Hardened and Black Oxide for Iron and Steel
- Z.A—Hardened, Polished Nickel Plated, Buffed and Chromium Plated
- Z.B—Polished, Nickel Plated, Buffed and Chromium Plated
- Z.C—Hardened and Chromium Plated
- Z.D—Polished and Chromium Plated
- Z.G—Bright Rumbled, Nickel Plated, Bright Rumbled and Chromium Plated
- Z.J—Nickel and Chromium Plated
- Z.T—Copper and Chromium Plated

These letters **MUST BE USED** when they appear in the list; and **AFTER** the number as in the list.

In this series:

1 to 1500, 50001 to 51500 and 140001 to 142,000 are screw numbers

1501 to 1800 and 51500 to 51800 are nut numbers

1801 to 2000 and 51801 to 52000 are roller numbers

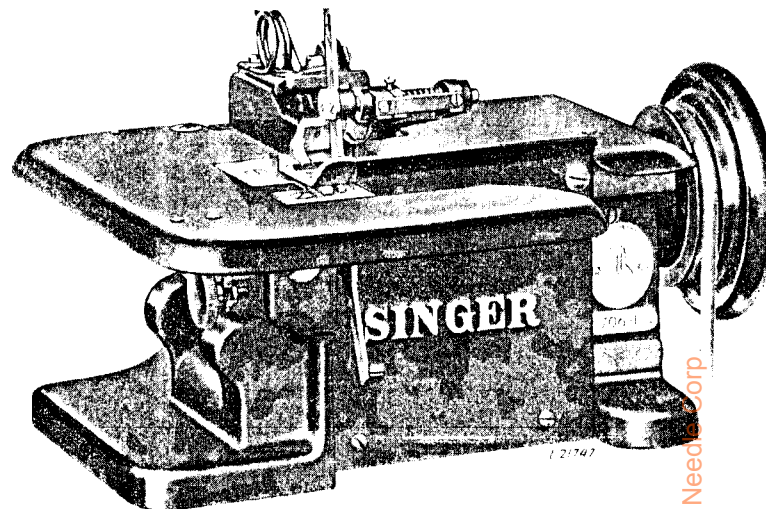
2001 to 50000 and 52001 to 140000 and 142001 to 190000 are Sewing Machine Parts, 190001 and upward are numbers of Electrical Parts.

The figures in the second column refer only to the plates, illustrating the parts, and are **NOT TO BE USED** in ordering.

Parts marked with an asterisk (*) are furnished only when repairs are made at the factory.

LIST OF PARTS COMPLETE

FOR



MACHINE No. 706-1
(TRIMMER)

FOR TRIMMING FABRICS UP TO 1/4" IN THICKNESS (NO STITCHING MECHANISM). HINGED PRESSER FOOT. FEED DOG 145252 (FINE TEETH) FOR LIGHT WEIGHT FABRICS. SPEED UP TO 3500 DEPENDING ON MATERIAL USED AND OPERATIONS PERFORMED.

No.	Plate	Name
42002	22565	Cloth Plate.....
42108	22565	Cloth Plate Extension (upper).....
229E	22565	Cloth Plate Extension (upper) Screw (2).....
42005	22565	Cloth Plate Lock Spring.....
236J	22565	Cloth Plate Lock Spring Screw (2).....
145251	22565	Cloth Plate complete, Nos. 42002, 42005, 42108 and two each 229E and 236J.....
1437D	22565	Cloth Plate Hinge Screw.....
1655E	22565	Cloth Plate Hinge Screw Nut.....
42205	22566	Feed Bar with 1253AL.....
42333	-----	Feed Bar 42205 with 42013.....
42007	22566	Feed Bar Hinge Pin.....
1253AL	22566	Feed Bar Hinge Pin Set Screw.....
42008	22567	Feed Connecting Rod with two 1057AL.....
42371	-----	Feed Connecting Rod 42008 with 1373C and 1520C.....
1057AL	22567	Feed Connecting Rod Cap Screw (2).....
1373C	22567	Feed Connecting Rod Hinge Screw.....
1520C	22567	Feed Connecting Rod Hinge Screw Nut.....

From the library of: Diamond Needle Corp

No.	Plate	Name
145252	22571	Feed Dog, 25 teeth (16 teeth to the inch),...
	NOTE:	Feed Dog No. 145252 is regularly furnished with this machine unless otherwise specified on order.
145253	-----	Feed Dog 16 teeth (10 teeth to the inch),....
190J	22571	Feed Dog Screw,.....
42011	22567	Feed Eccentric with two 453AL,.....
453AL	22567	Feed Eccentric Set Screw (2),.....
1374C	22570	Feed Regulating Screw Stud,.....
1680C	22570	Feed Regulating Screw Stud Nut,.....
42290	22570	Feed Regulating Screw Stud Washer,.....
42014	22570	Feed Regulator with two each 233J and 1259AL,.....
42015	22570	Feed Regulator Connection with 1012E,.....
42368	-----	Feed Regulator Connection 42015 with 1373C and 1520C,.....
1012E	22570	Feed Regulator Connection Adjusting Screw,.....
1373C	22570	Feed Regulator Connection Hinge Screw,....
1520C	22570	Feed Regulator Connection Hinge Screw Nut,.....
42016	22570	Feed Regulator Hinge Stud,.....
1259AL	22570	Feed Regulator Set Screw (2),.....
233J	22570	Feed Regulator Stop Screw (2),.....
42208	22567	Feed Lifting Eccentric with two 462AL,....
42013	22567	Feed Lifting Eccentric Connection,.....
462AL	22567	Feed Lifting Eccentric Set Screw (2),.....
42019	22566	Feed Rock Shaft,.....
42020	-----	Feed Rock Shaft complete, Nos. 42019 and 42021,.....
42021	22566	Feed Rock Shaft Crank with 157E,.....
157E	22566	Feed Rock Shaft Crank Clamping Screw,....
42098	22566	Feed Rock Shaft Hinge Pin,.....
42079	22566	Feed Rock Shaft Hinge Pin Bushing (2),....
1036AL	22566	Feed Rock Shaft Hinge Pin Bushing Set Screw (2),.....
*145254	-----	Frame,.....
145255	22567	Frame Rotary Shaft,.....
42024	22567	Frame Rotary Shaft Bushing (front),.....
1036AL	22567	Frame Rotary Shaft Bushing (front) Set Screw,.....
19009	22567	Frame Rotary Shaft Collar with two 454AL, ..
454AL	22567	Frame Rotary Shaft Collar Set Screw (2),...
42026	22567	Frame Rotary Shaft Flanged Bushing (back) with 54967,.....
54967	22567	Frame Rotary Shaft Flanged Bushing (back) Oil Pad,.....
1036AL	22567	Frame Rotary Shaft Flanged Bushing (back) Set Screw,.....
42367	22567	Frame Rotary Shaft Front Bearing Oil Pad, ..
145256	22568	Frame Side Cover,.....
330W	22568	Frame Side Cover Screw (lower) (2),.....
51326W	22568	Frame Side Cover Screw (upper),.....
145257	22568	Frame Top Cover,.....
742F	22568	Frame Top Cover Screw (2),.....
42305	22569	Knife (movable) (2),.....
	NOTE:	Two No. 42305 are sent with this machine.

No.	Plate	Name
42306	22569	Knife (movable) Gib,.....
132926	22569	Knife (movable) Holder,.....
132927	-----	Knife (movable) Holder 132926 with 133F, 42040, 42306, 132928 and two 220E,.....
132928	22569	Knife (movable) Holder Cap,.....
220E	22569	Knife (movable) Holder Cap Screw (2),.....
42038	22569	Knife (movable) Holder Guide with 336F,....
42039	22569	Knife (movable) Holder Guide Plate,.....
621E	22569	Knife (movable) Holder Guide Plate Screw (2),.....
336F	22569	Knife (movable) Holder Guide Set Screw,....
133F	22569	Knife (movable) Holder Screw,.....
42040	22569	Knife (movable) Holder Screw Extension Pin,.....
42041	22569	Knife (movable) Holder Spring,.....
42042	22569	Knife (movable) Lever,.....
42217	22567	Knife (movable) Lever Connection with two 175AL,.....
175AL	22567	Knife (movable) Lever Connection Cap Screw (2),.....
1373C	22567	Knife (movable) Lever Connection Hinge Screw,.....
1520C	22567	Knife (movable) Lever Connection Hinge Screw Nut,.....
42045	22569	Knife (movable) Lever Hinge Stud,.....
1229C	22569	Knife (movable) Lever Hinge Stud Set Screw,.....
42309	22569	Knife (stationary) with 42049 (2),.....
	NOTE:	Two No. 42309 are sent with this machine.
42310	22569	Knife (stationary) Clamping Stud,.....
1534D	22569	Knife (stationary) Clamping Stud Thumb Nut,.....
132767	22569	Knife (stationary) Holder,.....
1376C	22569	Knife (stationary) Holder Regulating Thumb Screw,.....
1101C	22569	Knife (stationary) Holder Screw,.....
42049	22569	Knife (stationary) Stud,.....
132924	22567	Machine Pulley, "V" belt groove (outside diam. of belt groove 2.9 in.) with 424C and 1354C,.....
1354C	22567	Machine Pulley Position Screw,.....
424C	22567	Machine Pulley Set Screw,.....
62527	22571	Presser Foot Hinge Pin,.....
145258	22571	Presser Foot Plate,.....
42169	22571	Presser Foot Shank,.....
145259	22571	Presser Foot (hinged) complete, Nos. 42169, 62527 and 145258,.....
1324C	22571	Presser Foot Screw,.....
39541	22571	Presser Foot Screw Washer,.....
42069	22566	Presser Lever,.....
42376	-----	Presser Lever 42069 with 42045,.....
42045	22566	Presser Lever Hinge Stud,.....
1120AL	22566	Presser Lever Hinge Stud Set Screw,.....
42070	22566	Presser Lever Lifter,.....
85D	22566	Presser Lever Lifter Hinge Screw,.....
1377C	22566	Presser Lever Screw Stud (eccentric),.....
1547J	22566	Presser Lever Screw Stud Nut,.....

From the library of: Diamond Needle Corp

No.	Plate	Name
145260	22566	Presser Lever Spring.....
898E	22566	Presser Lever Spring Screw.....
145261	22566	Presser Lever Spring Screw Washer.....
145262	22571	Throat Plate.....
742F	22571	Throat Plate Screw (2).....

ACCESSORIES

No.	Plate	Name
137258	22572	Machine Base Screw Stud.....
137259	22572	Machine Base Screw Stud 137258 with 51756E, for 1-5/8 in. table and Individual Stands, for use when machine is mounted on top of table.....
137260	22572	Machine Base Screw Stud.....
137261	22572	Machine Base Screw Stud 137260 with 51756E, for use when machine is mounted 1-1/2 in. lower than standard.....
14063	22572	Machine Base Screw Stud Spring, for Screw Stud No. 137258 when machine is mounted on Individual Stand.....
27498	22572	Machine Base Screw Stud Spring, for Screw Stud No. 137260 when machine is mounted 1-1/2 in. lower than standard.....
9842	-----	Machine Base Screw Stud Spring Washer.....
132602	22572	Machine Base Screw Stud Washer.....
51756E	22572	Machine Base Screw Stud Wing Nut for 137259 and 137261.....
120344	22572	Oiler (copper plated) with 120345.....
120345	22572	Oiler Spout, 4-1/2 in. long.....
120440	22572	Screw Driver.....
8908	22572	Wrench.....
42089	22572	Wrench.....

MACHINE BASE

No.	Plate	Name
42086	22573	Machine Base with three wood screws..... 1-1/4 in. No. 12 and four each 935E, 4718, 42088 and 66707.....
4718	22573	Machine Base Cushion (felt) (4).....
42088	22573	Machine Cushion (felt) (4).....
935E	22573	Machine Cushion Screw (4).....
66707	22573	Machine Cushion Screw Washer (4).....

NUMERICAL LIST OF PARTS

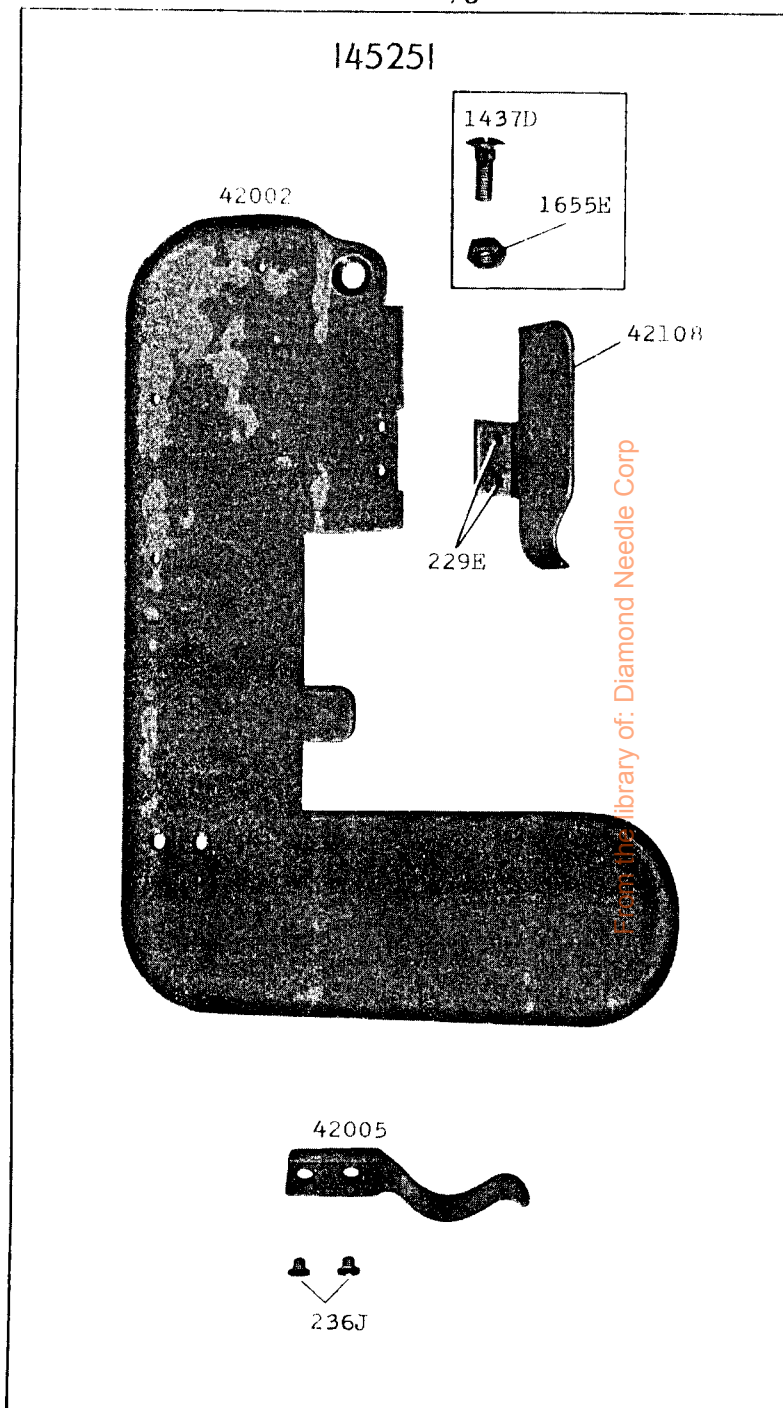
No.	Plate	Name
85D	22566	Presser Lever Lifter Hinge Screw.....
133F	22569	Knife (movable) Holder Screw for 132927... 42021.....
157E	22566	Feed Rock Shaft Crank Clamping Screw for 42021.....
175AL	22567	Knife (movable) Lever Connection Cap Screw for 42217.....
190J	22571	Feed Dog Screw.....
220E	22569	Knife (movable) Holder Cap Screw for 132927.....
229E	22565	Cloth Plate Extension (upper) Screw for 145251.....
233J	22570	Feed Regulator Stop Screw for 42014.....
236J	22565	Cloth Plate Lock Spring Screw for 145251...
330W	22568	Frame Side Cover Screw (lower).....
336F	22569	Knife (movable) Holder Guide Set Screw for 42038.....
424C	22567	Machine Pulley Set Screw for 132924.....
453AL	22567	Feed Eccentric Set Screw for 42011.....
454AL	22567	Frame Rotary Shaft Collar Set Screw for 19009.....
462AL	22567	Feed Lifting Eccentric Set Screw for 42208..
621E	22569	Knife (movable) Holder Guide Plate Screw..
742F	22568	Frame Top Cover Screw.....
742F	22571	Throat Plate Screw.....
898E	22566	Presser Lever Spring Screw.....
935E	22573	Machine Base Machine Cushion Screw for 42086.....
1012E	22570	Feed Regulator Connection Adjusting Screw for 42015.....
1036AL	22566	Feed Rock Shaft Hinge Pin Bushing Set Screw.....
1036AL	22567	Frame Rotary Shaft Bushing (front) Set Screw.....
1036AL	22567	Frame Rotary Shaft Flanged Bushing (back) Set Screw.....
1057AL	22567	Feed Connecting Rod Cap Screw for 42008..
1101C	22569	Knife (stationary) Holder Screw.....
1120AL	22566	Presser Lever Hinge Stud Set Screw.....
1229C	22569	Knife (movable) Lever Hinge Stud Set Screw
1253AL	22566	Feed Bar Hinge Pin Set Screw for 42205....
1259AL	22570	Feed Regulator Set Screw for 42014.....
1324C	22571	Presser Foot Screw.....
1354C	22567	Machine Pulley Position Screw for 132924..
1373C	22567	Feed Connecting Rod Hinge Screw for 42371.
1373C	22570	Feed Regulator Connection Hinge Screw for 42368.....
1373C	22567	Knife (movable) Lever Connection Hinge Screw.....
1374C	22570	Feed Regulating Screw Stud.....
1376C	22569	Knife (stationary) Holder Regulating Thumb Screw.....

No.	Plate	Name
1377C	22566	Presser Lever Screw Stud (eccentric).....
1437D	22565	Cloth Plate Hinge Screw
1520C	22567	Feed Connecting Rod Hinge Screw Nut for 42371
1520C	22570	Feed Regulator Connection Hinge Screw Nut for 42368.....
1520C	22567	Knife (movable) Lever Connection Hinge Screw Nut.....
1534D	22569	Knife (stationary) Clamping Stud Thumb Nut
1547J	22566	Presser Lever Screw Stud Nut.....
1655E	22565	Cloth Plate Hinge Screw Nut.....
1680C	22570	Feed Regulating Screw Stud Nut.....
4718	22573	Machine Base Cushion (felt) for 42086.....
8908	22572	Wrench (accessories)
9842	-----	Machine Base Screw Stud Spring Washer (accessories).....
14063	22572	Machine Base Screw Stud Spring, for Screw Stud No. 137258 when machine is mounted on Individual Stand (accessories).....
19009	22567	Frame Rotary Shaft Collar with two 454AL..
27498	22572	Machine Base Screw Stud Spring, for Screw Stud No. 137260 when machine is mounted 1-1/2 in. lower than standard (accessories)
39541	22571	Presser Foot Screw Washer.....
42002	22565	Cloth Plate for 145251
42005	22565	Cloth Plate Lock Spring for 145251.....
42007	22566	Feed Bar Hinge Pin
42008	22567	Feed Connecting Rod with two 1057AL, for 42371
42011	22567	Feed Eccentric with two 453AL.....
42013	22567	Feed Lifting Eccentric Connection for 42333
42014	22570	Feed Regulator with two each 233J and 1259AL
42015	22570	Feed Regulator Connection with 1012E, for 42368.....
42016	22570	Feed Regulator Hinge Stud
42019	22566	Feed Rock Shaft for 42020.....
42020	-----	Feed Rock Shaft complete, Nos. 42019 and 42021
42021	22566	Feed Rock Shaft Crank with 157E, for 42020
42024	22567	Frame Rotary Shaft Bushing (front).....
42026	22567	Frame Rotary Shaft Flanged Bushing (back) with 54967.....
42038	22569	Knife (movable) Holder Guide with 336F....
42039	22569	Knife (movable) Holder Guide Plate
42040	22569	Knife (movable) Holder Screw Extension Pin for 132927
42041	22569	Knife (movable) Holder Spring.....
42042	22569	Knife (movable) Lever.....
42045	22569	Knife (movable) Lever Hinge Stud.....
42045	22566	Presser Lever Hinge Stud for 42376.....

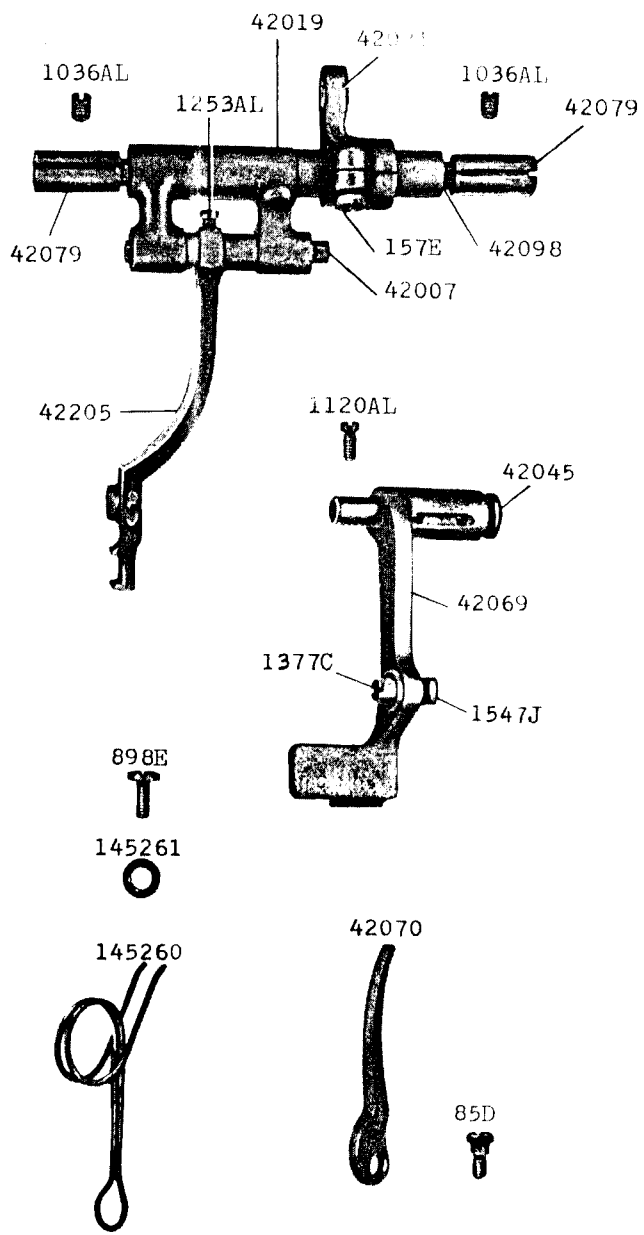
No.	Plate	Name
42049	22569	Knife (stationary) Stud for 42309.....
42069	22566	Presser Lever for 42376.....
42070	22566	Presser Lever Lifter.....
42079	22566	Feed Rock Shaft Hinge Pin Bushing.....
42086	22573	Machine Base with three wood screws 1-1/4 in. No. 12 and four each 935E, 4718, 42088 and 66707
42088	22573	Machine Base Machine Cushion (felt) for 42086
42089	22572	Wrench (accessories)
42098	22566	Feed Rock Shaft Hinge Pin
42108	22565	Cloth Plate Extension (upper) for 145251 ...
42169	22571	Presser Foot Shank for 145259
42205	22566	Feed Bar with 1253AL, for 42333
42208	22567	Feed Lifting Eccentric with two 462AL
42217	22567	Knife (movable) Lever Connection with two 175AL
42290	22570	Feed Regulating Screw Stud Washer.....
42305	22569	Knife (movable).....
		NOTE: Two No. 42305 are sent with this machine.
42306	22569	Knife (movable) Gib for 132927
42309	22569	Knife (stationary) with 42049
		NOTE: Two No. 42309 are sent with this machine.
42310	22569	Knife (stationary) Clamping Stud.....
42333	-----	Feed Bar 42205 with 42013
42367	22567	Frame Rotary Shaft Front Bearing Oil Pad..
42368	-----	Feed Regulator Connection 42015 with 1373C and 1520C.....
42371	-----	Feed Connecting Rod 42008 with 1373C and 1520C
42376	-----	Presser Lever 42069 with 42045.....
51326W	22568	Frame Side Cover Screw (upper)
51756E	22572	Machine Base Screw Stud Wing Nut for 137259 and 137261.....
54967	22567	Frame Rotary Shaft Flanged Bushing (back) Oil Pad for 42026
62527	22571	Presser Foot Hinge Pin for 145259.....
66707	22573	Machine Base Machine Cushion Screw Washer for 42086
120344	22572	Oiler (copper plated) with 120345 (accessories).....
120345	22572	Oiler Spout, 4-1/2 in. long for 120344.....
120440	22572	Screw Driver (accessories).....
132602	22572	Machine Base Screw Stud Washer (accessories).....
132767	22569	Knife (stationary) Holder
132924	22567	Machine Pulley, "V" belt groove (outside diam. of belt groove 2.9 in.) with 424C and 1354C
132926	22569	Knife (movable) Holder for 132927
132927	-----	Knife (movable) Holder 132926 with 133F, 42040, 42306, 132928 and two 220E.....
132928	22569	Knife (movable) Holder Cap for 132927
137258	22572	Machine Base Screw Stud for 137259

No.	Plate	Name
137259	22572	Machine Base Screw Stud 137258 with 51756E, for 1-5/8 in. Table and Individual Stands, for use when machine is mounted on top of table (accessories).....
137260	22572	Machine Base Screw Stud for 137261.....
137261	22572	Machine Base Screw Stud 137260 with 51756E, for use when machine is mounted 1-1/2 in. lower than standard, (accessories)
145251	22565	Cloth Plate complete, Nos. 42002, 42005, 42108 and two each 229E and 236J.....
145252	22571	Feed Dog, 25 teeth (16 teeth to the inch)....
	NOTE:	Feed Dog No. 145252 is regularly furnished with this machine unless otherwise specified on order.
145253	-----	Feed Dog, 16 teeth (10 teeth to the inch)....
*145254	-----	Frame
145255	22567	Frame Rotary Shaft.....
145256	22568	Frame Side Cover.....
145257	22568	Frame Top Cover
145258	22571	Presser Foot Plate for 145259.....
145259	22571	Presser Foot (hinged) complete, Nos. 42169, 62527 and 145258.....
145260	22566	Presser Lever Spring.....
145261	22566	Presser Lever Spring Screw Washer
145262	22571	Throat Plate.....

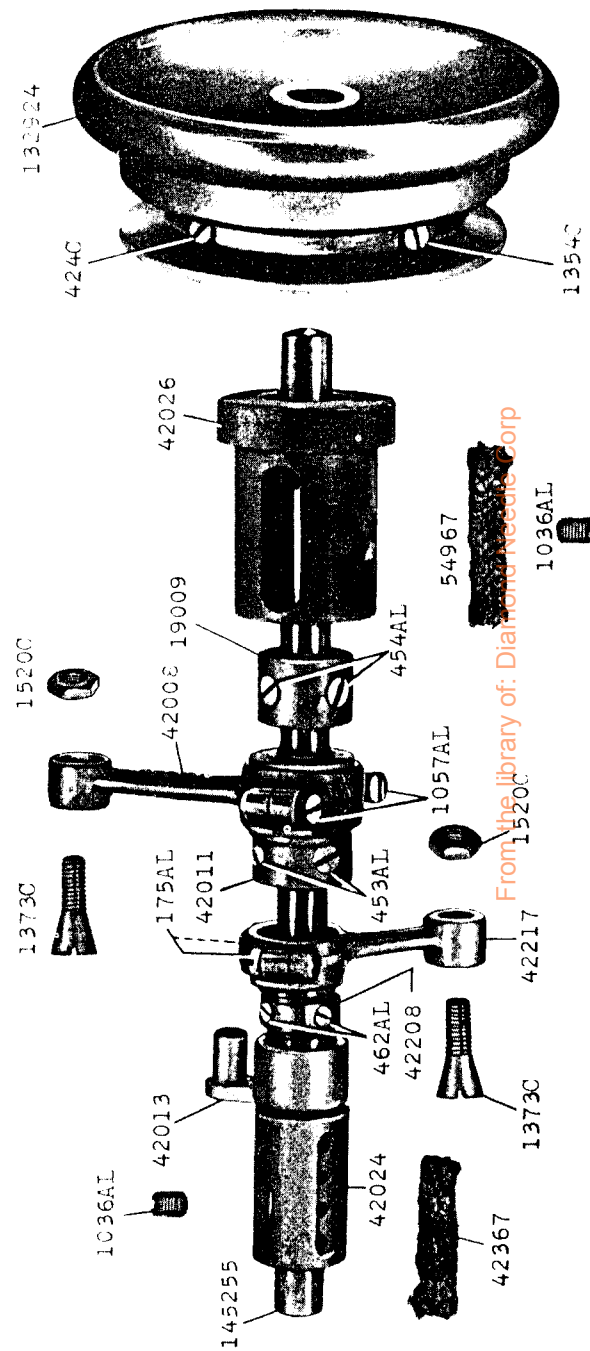
22565 2/3



22566 2/3



22567 2/3

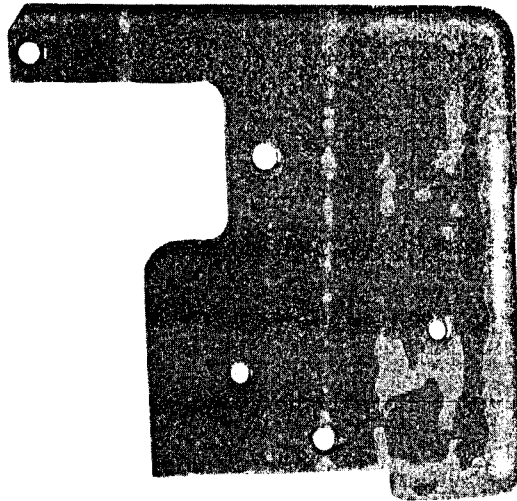


22568 2/3

742F



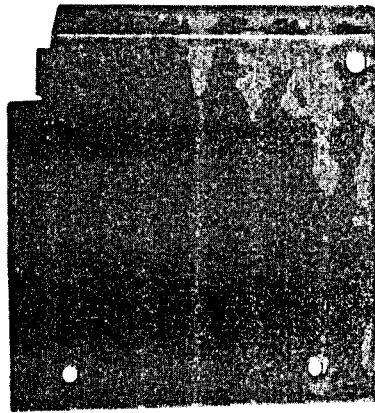
145257



742F



145256



330W



51326W



330W



22569 2/3

1279C



42042



42045

42305



42306



42040

42041

42041

33F

229E

3292B



32926

336F

42043

621E

42040

42309

1534D



132767



42310

376C



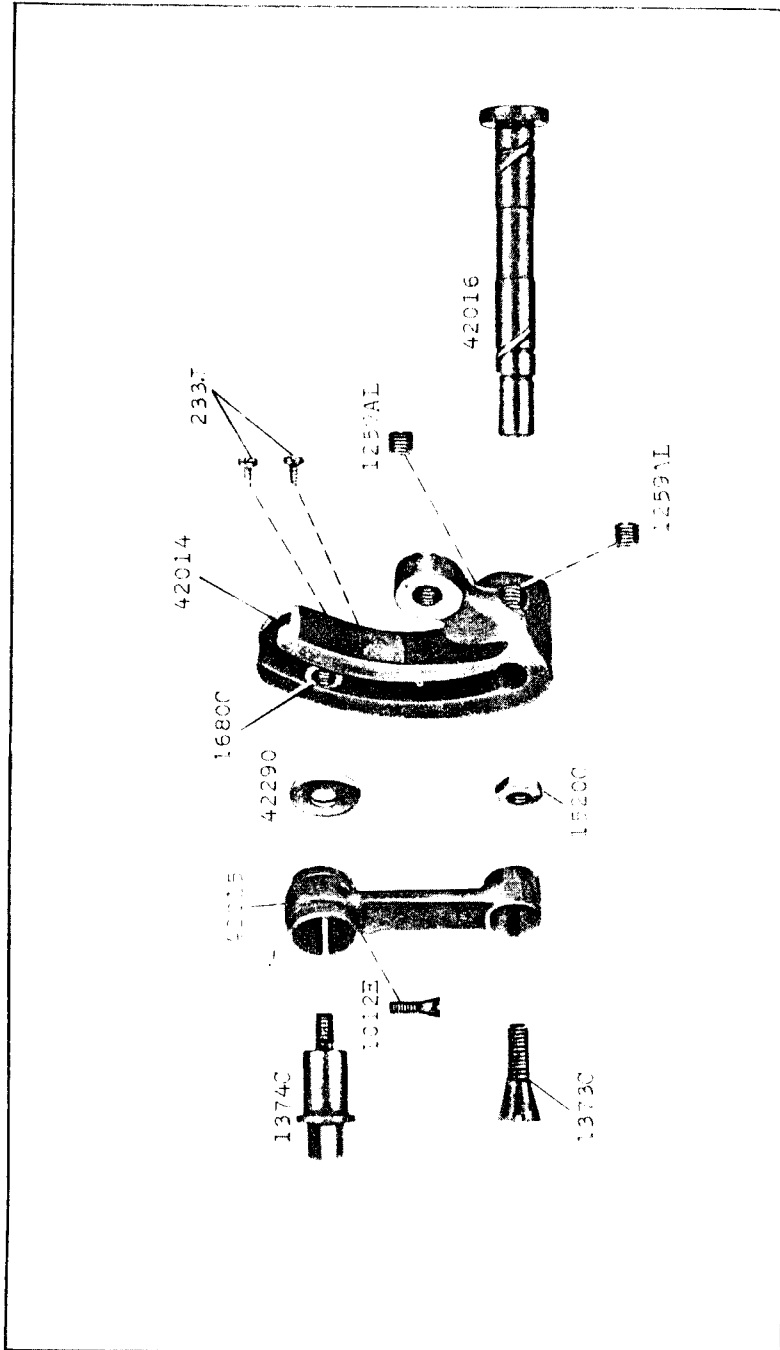
11010



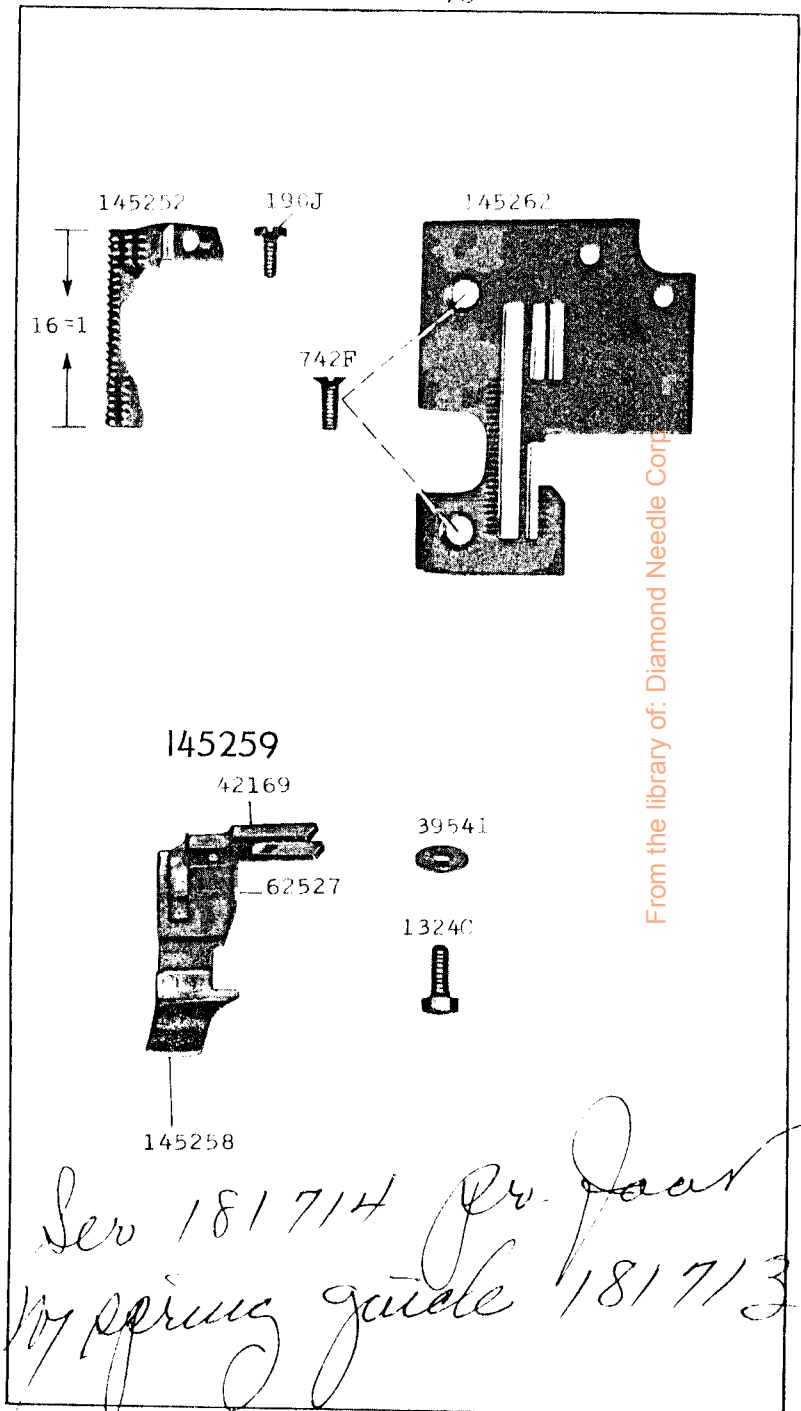
42049

From the library of Diamond Needle Corp

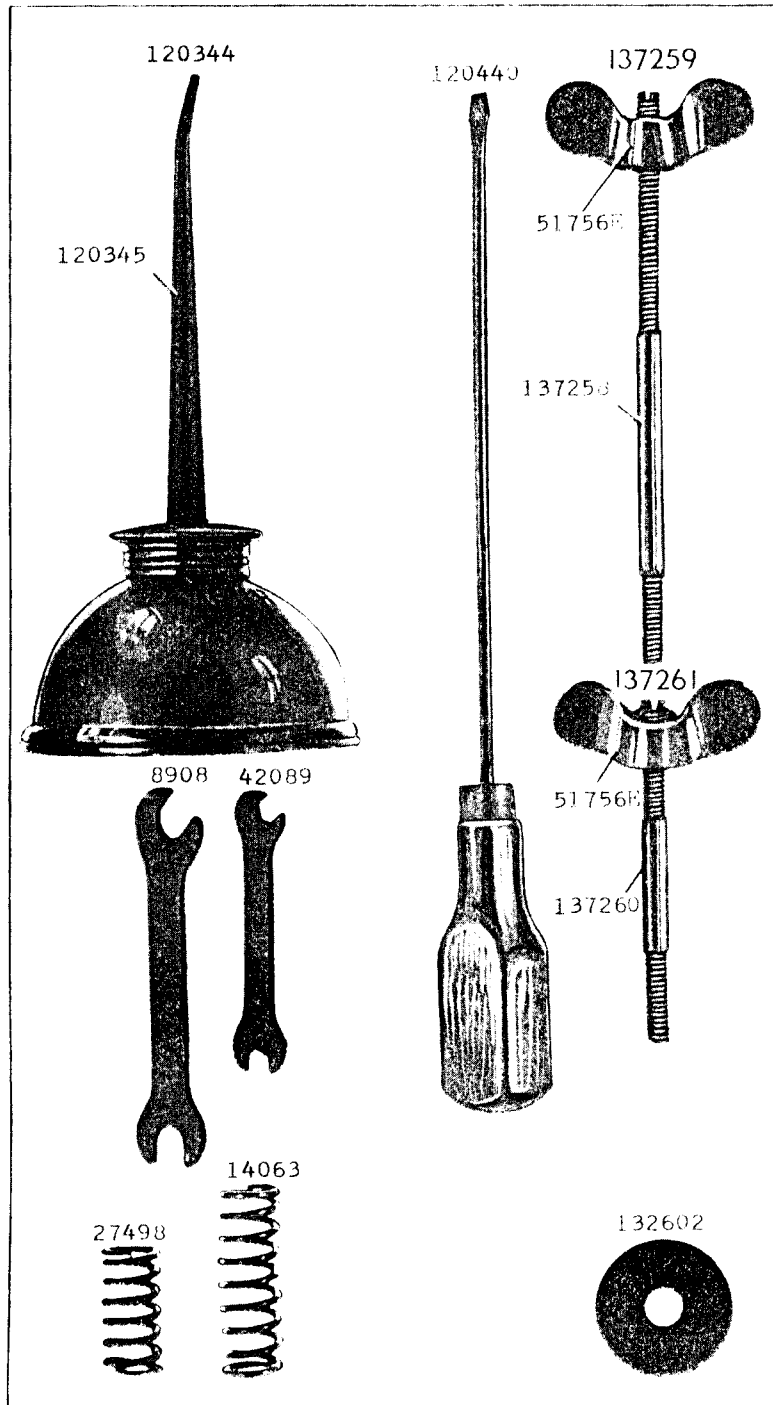
22570 2/3



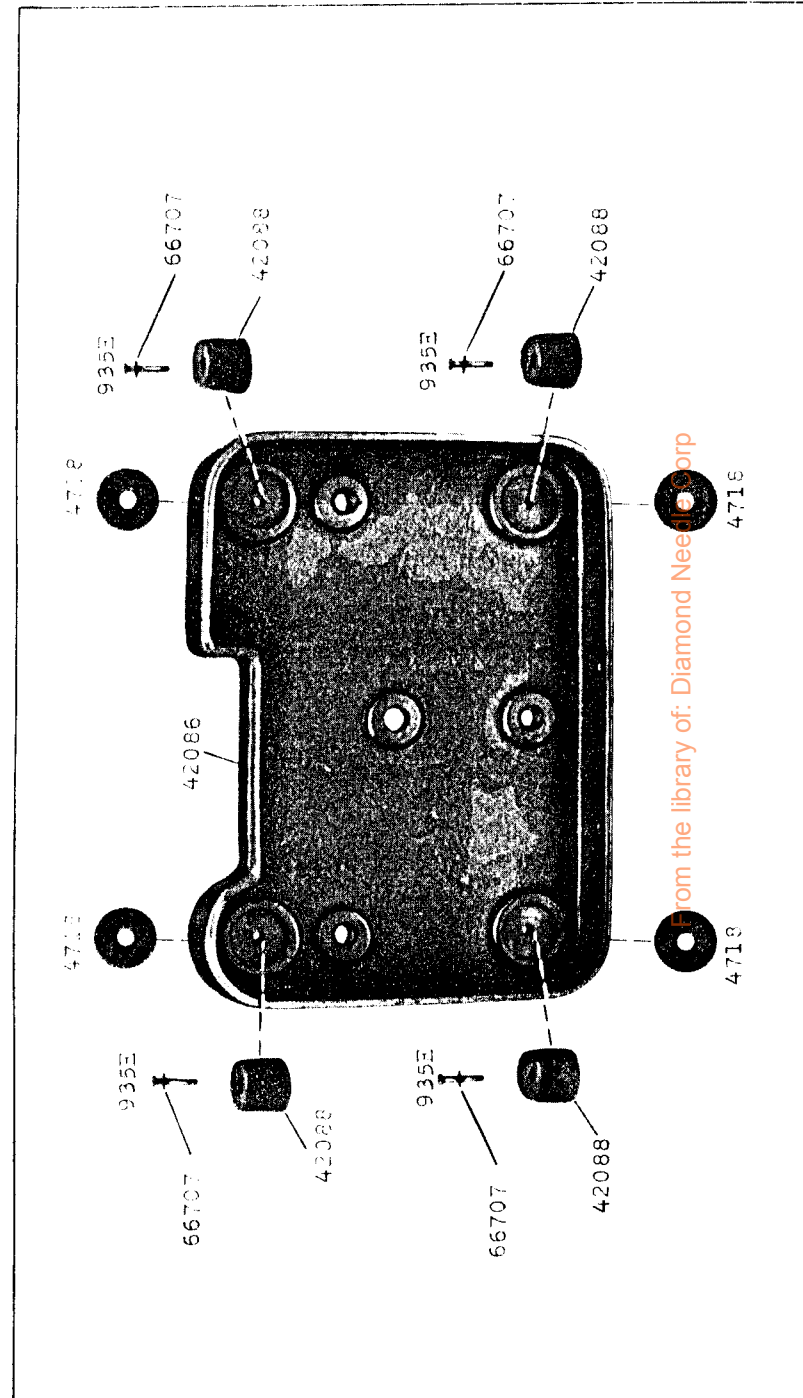
22571 2/3



22572 1/2



22573 1/2



From the library of: Diamond Need Corp